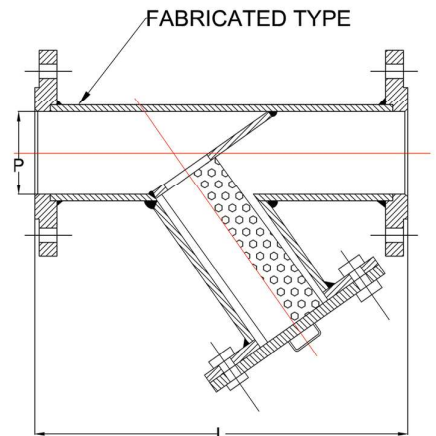
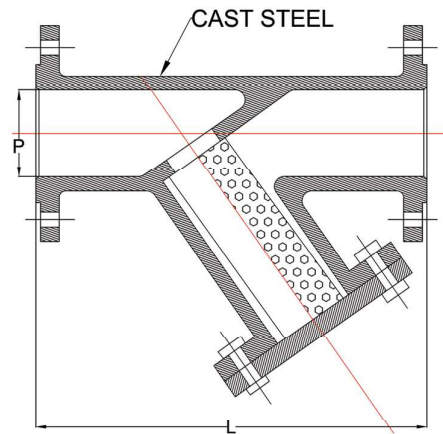




STRAINERS - Y- TYPE STRAINERS - CAST & FABRICATED



Y-Strainers are devices for mechanically removing unwanted solids from liquid, gas or steam lines by means of a perforated or wire mesh straining element. They are used in pipelines to protect pumps, meters, control valves, steam traps, regulators and other process equipment. These are extensively used in pumping stations and are generally installed in suction side of pump (before pump). Flowtorq Y Type strainers are cast and fabricated types.



Cast - 150#		
DN (inch)	L	P
25 (1")	127	25
40 (1.5")	165	39
50 (2")	203	49
65 (2½")	216	64.9
80 (3")	241	80
100 (4")	292	100
125 (5")	356	125
150 (6")	406	148
200 (8")	495	199
250 (10")	622	249
300 (12")	698	300
350 (14")	787	348

(Code-AZV)

Fabricated - 150#		
DN (inch)	L	P
25 (1")	127	25
40 (1.5")	165	39
50 (2")	203	49
65 (2½")	216	64.9
80 (3")	241	80
100 (4")	292	100
125 (5")	356	125
150 (6")	406	148
200 (8")	495	199
250 (10")	622	249
300 (12")	698	300
350 (14")	787	348
400 (16")	914	398
450 (18")	977	447
500 (20")	977	499
600 (24")	1205	596

(Code-AZV)

DESIGN STANDARD	
Strainer	ASME B16.34, Mnfr's Std
Face to Face / End to End Dimensions	ANSI B16.5 / B16.10
Pressure - Temperature rating	ASME B16.34

