



# STRAINERS - T- TYPE STRAINERS - FABRICATED

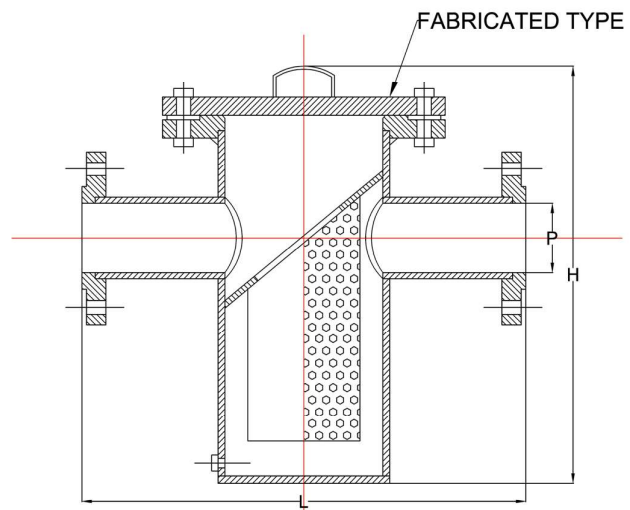


T-Strainers are devices for mechanically removing unwanted solids from liquid, gas or steam lines by means of a perforated or wire mesh straining element. They are used in pipelines to protect pumps, meters, control valves, steam traps, regulators and other process equipment. These are extensively used in pumping stations and are generally installed in suction side of pump (before pump). Flowtorq T Type strainers are available in fabricated type.



FABRICATED			
DN (inch)	L	H	P
50 (2")	260	300	49
80 (3")	300	315	80
100 (4")	330	350	100
125 (5")	400	400	125
150 (6")	400	425	148
200 (8")	465	550	199
250 (10")	515	700	249
300 (12")	575	850	300
350 (14")	680	900	348
400 (16")	750	1000	394
450 (18")	850	1100	449
500 (20")	1000	1200	500
600 (24")	12000	1300	599

(Code-AZV)



DESIGN STANDARD	
Strainer	ASME B16.34, Mnfr's Std
Face to Face / End to End Dimensions	ANSI B16.5 / ANSI B16.10
Pressure - Temperature rating	ASME B16.34