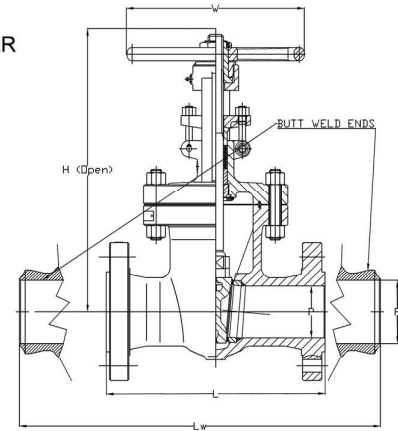
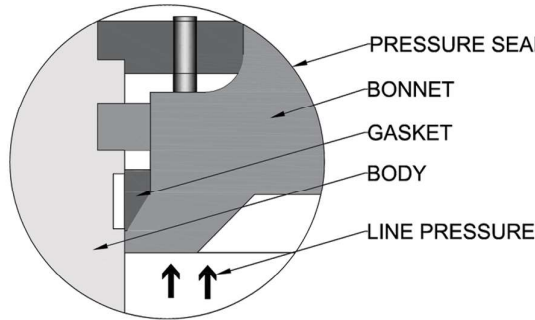




# GATE VALVES - PRESSURE SEALED GATE VALVES



FLOWTORQ Pressure Seal Gate Valves are best suited for high pressure applications like steam, liquid, catalytic reformers, hydrocrackers and other tough services. For High pressure, High temperature applications, Pressure seal gate valves continue to cater a wide range of industries with a safest, leakage free, pressure holding service. In opposition to bolted-bonnet valves, internal pressure applied to a pressure seal valve forces the sealing parts into more tighter contact—the higher the internal pressure, the tighter the seal. Afterwards the line pressure provides extra force to seal the gasket. Thus, as line pressure increases, the chances for leakage through the body-bonnet joint is less.



900GTV					
DN (inch)	L	Lw	A	H	WEIGHT (Kg) Approx
50 (2")	368	368	547	300	90
65 (2½")	419	419	700	350	110
80 (3")	381	381	648	400	123
100 (4")	457	457	729	450	148
125 (5")	559	559	890	500	280
150 (6")	610	610	1041	560	420
200 (8")	737	737	1260	460 (*)	650 (*)
250 (10")	838	838	1590	610 (*)	1160 (*)
300 (12")	965	965	1795	610 (*)	1700 (*)
350 (14")	1029	1029	2025	760 (*)	2300 (*)
400 (16")	1130	1130	2170	760 (*)	2750 (*)
450 (18")	1219	1219	2345	760 (*)	3120 (*)
500 (20")	1321	1321	2610	760 (*)	3550 (*)

(Code-SS)

1500GTV					
DN (inch)	L	Lw	A	H	WEIGHT (Kg) Approx
50 (2")	368	368	574	350	117
65 (2½")	419	419	700	400	175
80 (3")	470	470	806	450	240
100 (4")	546	546	887	560	337
125 (5")	673	673	995	560	485
150 (6")	705	705	1079	305 (*)	680
200 (8")	832	832	1370	610 (*)	1228 (*)
250 (10")	991	991	1520	760 (*)	2218 (*)
300 (12")	1130	1130	1651	760 (*)	3260 (*)
350 (14")	1257	1257	1825	760 (*)	3990 (*)
400 (16")	1384	1384	1995	760 (*)	5420 (*)

(Code-SS)

2500GTV					
DN (inch)	L	Lw	A	H	WEIGHT (Kg) Approx
50 (2")	451	451	595	400	155
65 (2½")	508	508	675	450	215
80 (3")	578	578	750	560	285
100 (4")	673	673	805	610	405
125 (5")	794	794	1010	610	715
150 (6")	914	914	1200	460 (*)	1050 (*)
200 (8")	1022	1022	1346	610 (*)	1700 (*)
250 (10")	1270	1270	1500	760 (*)	2950 (*)
300 (12")	1422	1422	1700	760 (*)	4120 (*)
350 (14")	1575	1575	1950	760 (*)	5790 (*)

(Code-SS)

